

**LM 2016** PCB/3 **Order no. 60.08506**

3,0V Primary Lithium-Manganese Dioxide (Li-MnO<sub>2</sub>)

#### Electrical characteristics

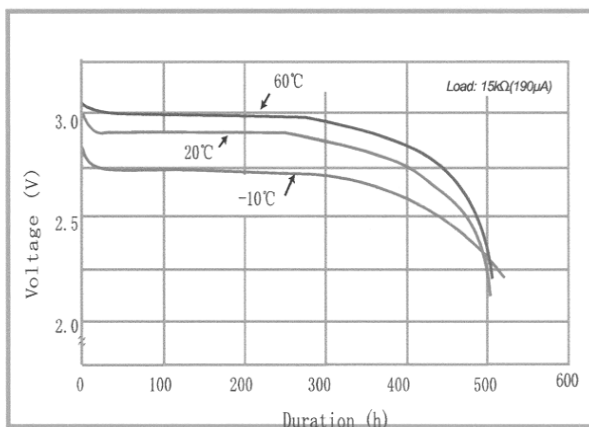
(typical values relative to cells stored for one year or less at +30°C max.)

nominal capacity	80 mAh
nominal voltage	3,0V
max. constant current max. pulse current	3 mA 15 mA
operating temperature range	-20°C ~ +70°C
service life under proper range	10 years

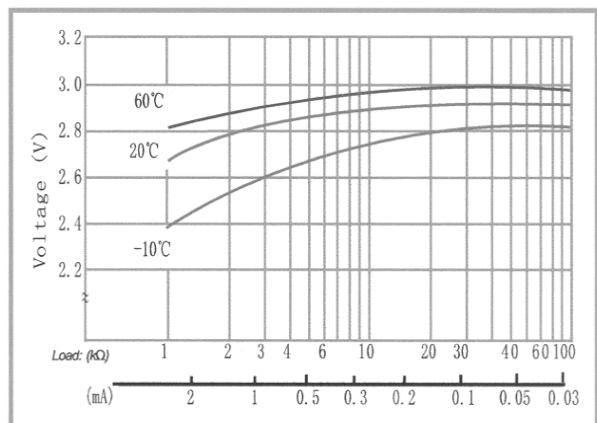
#### Physical characteristics

diameter (max.)	20,0 mm
height (max)	1,6 mm
typical weight	1,8 g

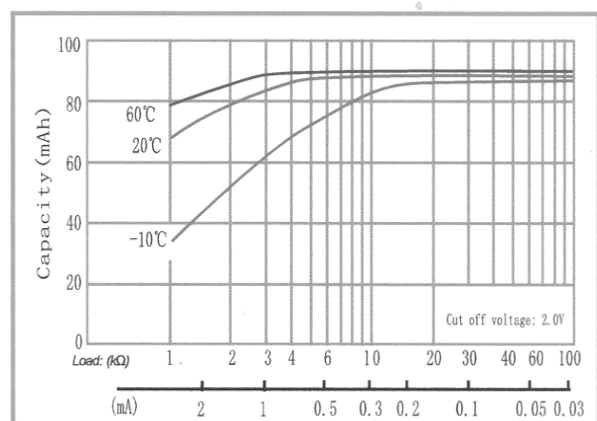
#### 1. TEMPERATURE CHARACTERISTICS



#### 2. OPERATING VOLTAGE VS. LOAD RESISTANCE

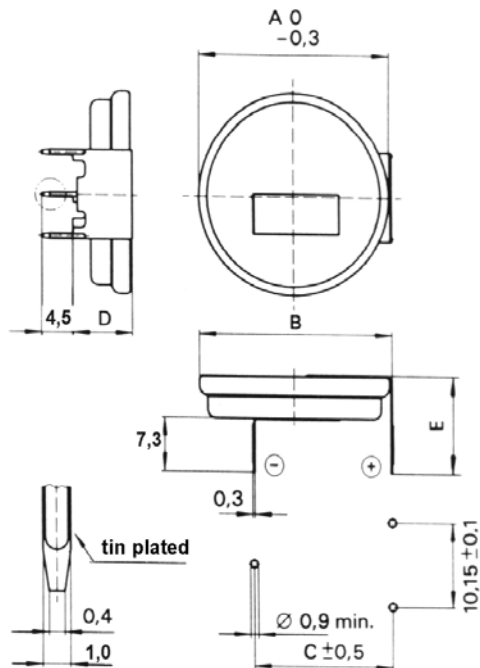


#### 3. CAPACITY VS. LOAD RESISTANCE



#### Warning

- Avoid / do not short-circuit oder charge between "+" and "-"
- Avoid deep discharge/over discharge, fire, damage
- Sealing will break in less than 5 seconds at 200-250°C
- Battery to be removed from equipment when discharge to cut-off voltage, dispose of properly



**LM 2016 PCB/3 Horizontal, 3 pins type**

part no.	type	capacity (mAh)	dimensions (mm)					weight g
			A	B	C	D	E	
60.08506	LM 2016 PCB/3	80	20,2	20,0	17,8	5,2	9,1	2,1

The information (subject to change without notice) contained in this document is for reference only and should not be used as a basis for product guaranty or warranty. For applications other than those described here, please consult your nearest DYNAMIS Sales or Marketing Office or Distributors.