

DYNAMIS

LITHIUM-MANGAN-LINE

LM 2032 PCB/3

3.0V Primary Lithium Manganese Dioxide (Li-MnO₂) coin cell



Electrical characteristics

(typical values relative to cells stored for one year or less at +30°C max.)

Order no. 60.08532

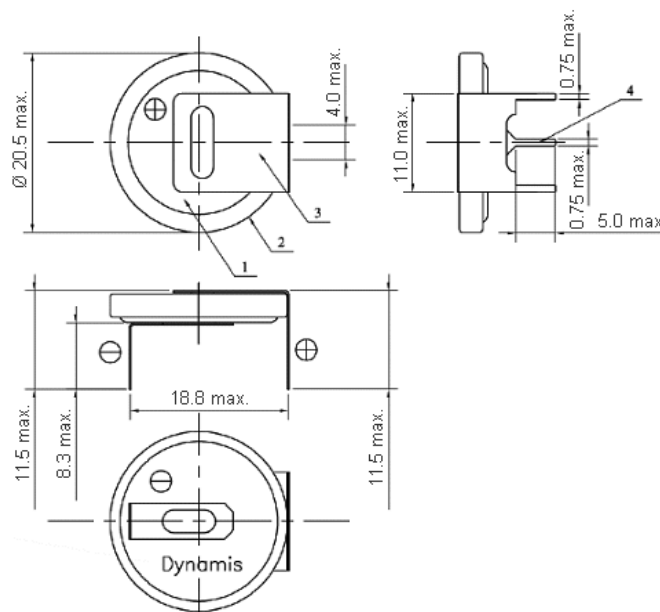
Nominal voltage	3.0 V
Nominal capacity at 30 K Ohm with 2.0 V cut off voltage (20 °C). (The capacity restored by the cell varies according to current drain, temperature and cut-off voltage).	230 mAh
Max. recommended continuous current	3 mA
Pulse capability (The readings may vary according to the pulse characteristics, temperature and the cell's previous history.)	8 mA
Operating temperature range (Operation at temperature different from ambient may lead to reduced capacity and lower voltage plateau readings.)	-25°C ~ +70°C
Service life	10 years

Physical characteristics

Diameter	20.5 mm
Height	3.2 mm
Weight ca.	3.3 g

Drawing:

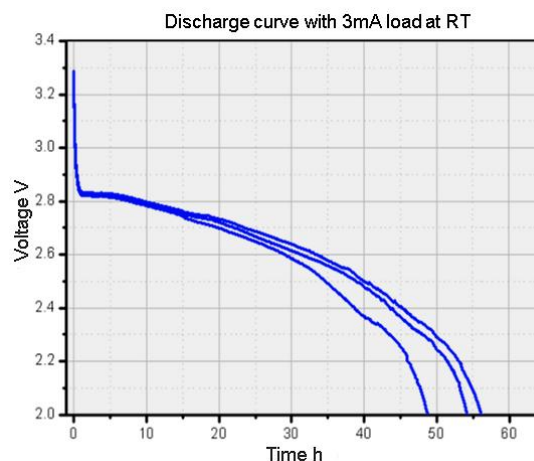
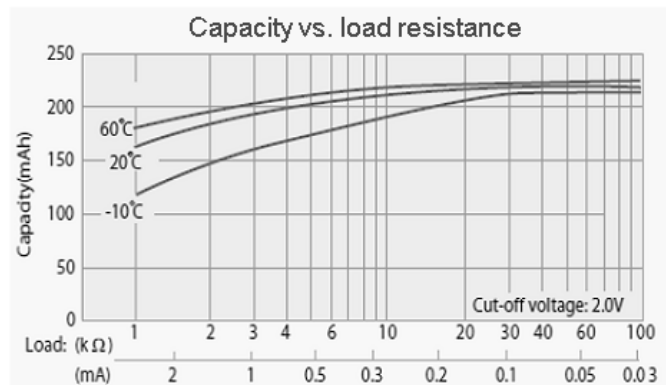
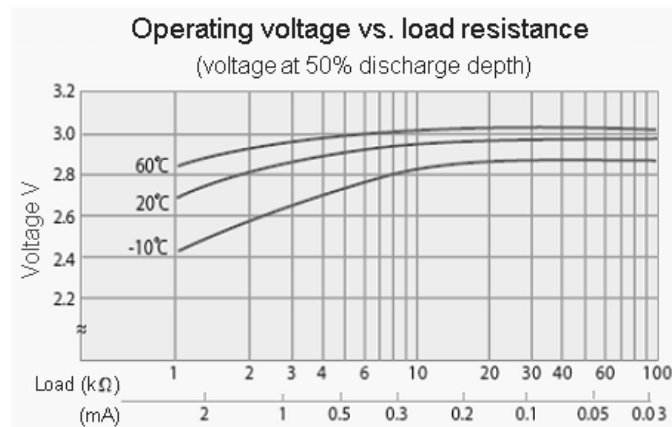
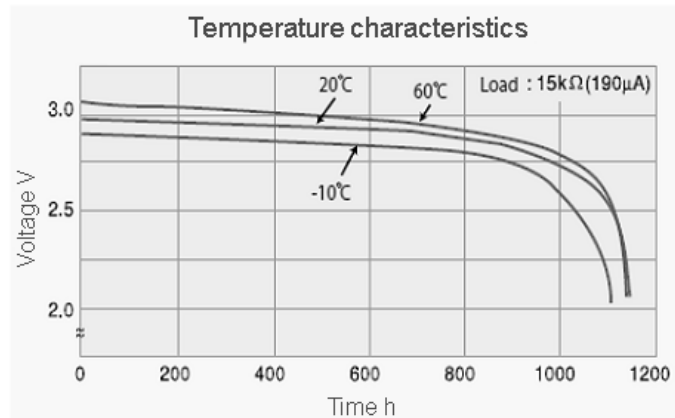
LM 2032 PCB/3 horizontal, 3 pins type



Unit: mm

Warning

- Avoid short-circuit or charge between "+" and "-"
- Avoid deep discharge/over discharge, fire, damage
- Sealing will break in less than 5 seconds at 200-250°C
- Battery to be removed from equipment when discharge to cut-off voltage, dispose of properly



All information (subject to change without notice) contained in this document is for reference only and should not be used as a basis for product guaranty or warranty. For applications other than those described here, please consult your nearest DYNAMIS Sales or Marketing Office or Distributors.