

LM 2430 SLF/3 Order no. 60.08511

3,0V Primary Lithium-Manganese Dioxide (Li-MnO₂)

Electrical characteristics

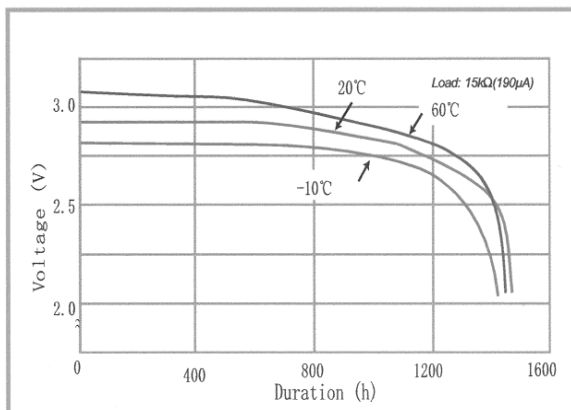
(typical values relative to cells stored for one year or less at +30°C max.)

nominal capacity	280 mAh
nominal voltage	3,0V
max. constant current max. pulse current	6 mA 25 mA
operating temperature range	-20°C ~ +70°C
service life	10 years

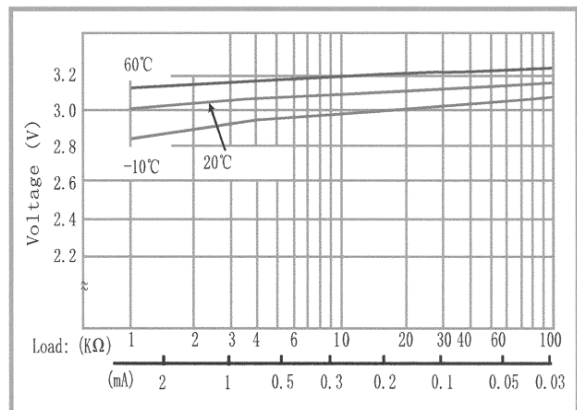
Physical characteristics

diameter (max.)	24,5 mm
height (max)	3,0 mm
typical weight	4,5 g

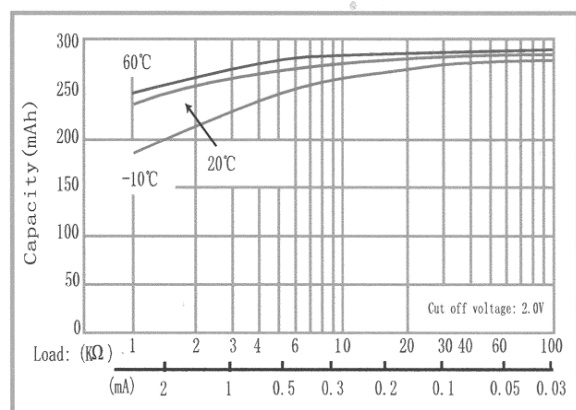
1. TEMPERATURE CHARACTERISTICS



2. OPERATING VOLTAGE VS. LOAD RESISTANCE

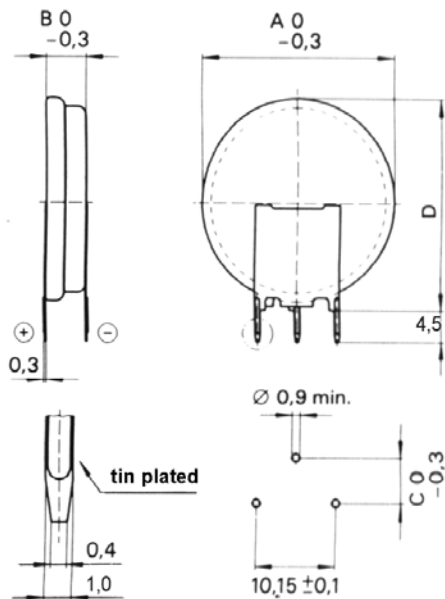


3. CAPACITY VS. LOAD RESISTANCE



Warning

- Avoid short-circuit and/or any charge between "+" and "-"
- Remove battery when discharged to cut-off voltage
- Do not over-discharge, expose to fire or inflict any damage.
- Sealing tightness less than 5 seconds at 200-250 °C



LM 2430 SLF/3 Vertical, 3 pins type

part no.	type	capacity (mAh)	dimensions (mm)				weight g
			A	B	C	D	
60.08511	LM 2430 SLF/3	280	24,5	3,0	3,3	25,5	4,7

The information (subject to change without notice) contained in this document is for reference only and should not be used as a basis for product guaranty or warranty. For applications other than those described here, please consult your nearest DYNAMIS Sales or Marketing Office or Distributors.