

#### LM 2477N/PCB 2 **Order no. 60.08524**

3.0 V Primary Lithium-Manganese Dioxide (Li-MnO<sub>2</sub>)  
Coin cell

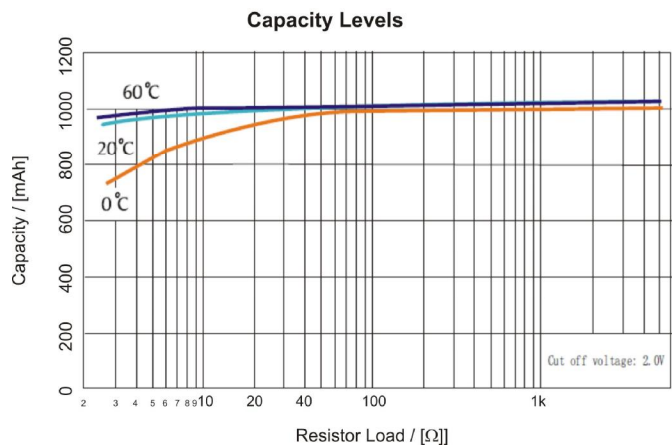
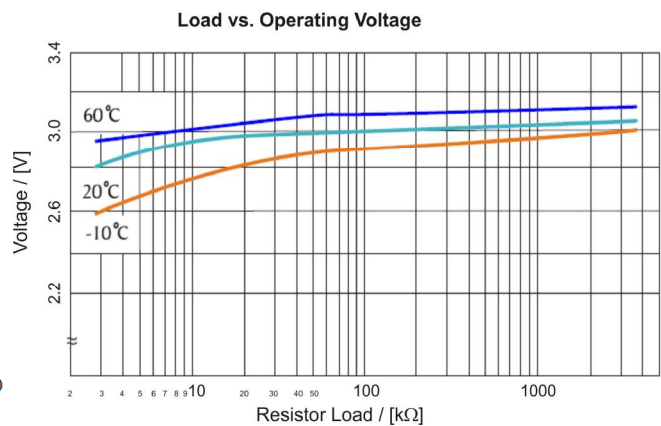
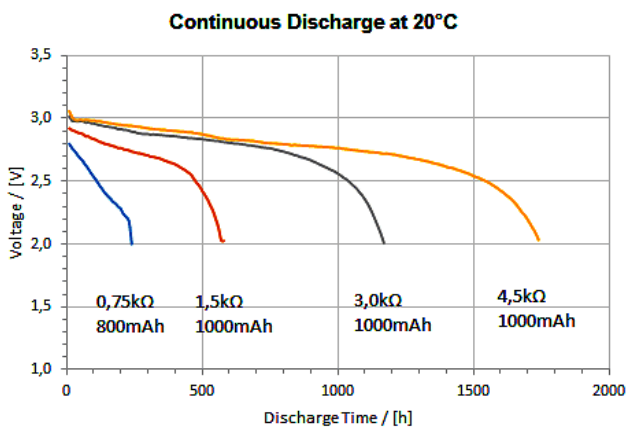
#### Electrical characteristics

(typical values relative to cells stored for one year or less at +30°C max.)

|   |               |
|---|---------------|
| Nominal capacity (@ 1,0 mA to 2.0 V)          | 1000 mAh      |
| Nominal voltage                               | 3.0 V         |
| Max. constant current /<br>max. pulse current | 6 mA<br>25 mA |
| Operating temperature range                   | -20°C ~ +70°C |
| Service life                                  | 10 years      |

#### Physical characteristics

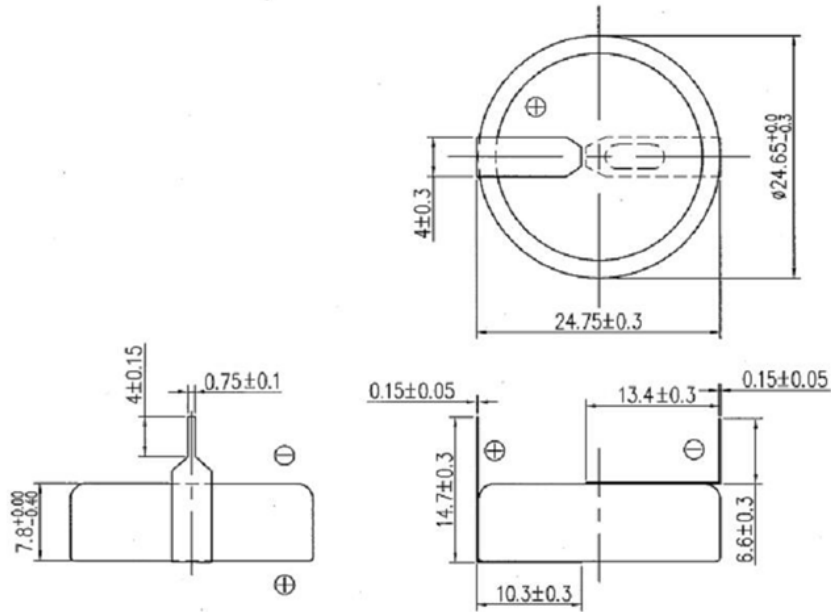
|                 |         |
|-----------------|---------|
| Diameter (max.) | 24.5 mm |
| Height (max.)   | 7.7 mm  |
| Typical weight  | 10.0 g  |



#### Warning

- Avoid short-circuit and/or any charge between "+" and "-"
- Remove battery when discharged to cut-off voltage
- Do not over-discharge, expose to fire or inflict any damage.
- Sealing tightness less than 5 seconds at 200-250 °C

Drawing LM 2477N/ PCB 2



Unit mm

The information (subject to change without notice) contained in this document is for reference only and should not be used as a basis for product guaranty or warranty. For applications other than those described here, please consult your nearest DYNAMIS Sales or Marketing Office or Distributors.