

#### LM 2477N/PCB 3 Order no. 60.08525

3.0 V Primary Lithium-Manganese Dioxide (Li-MnO<sub>2</sub>)  
Coin cell

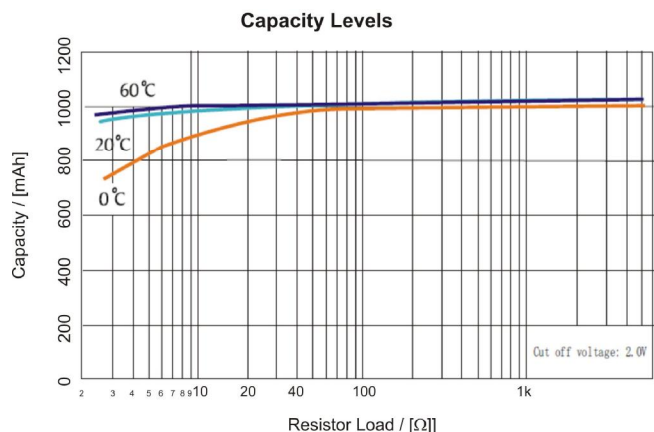
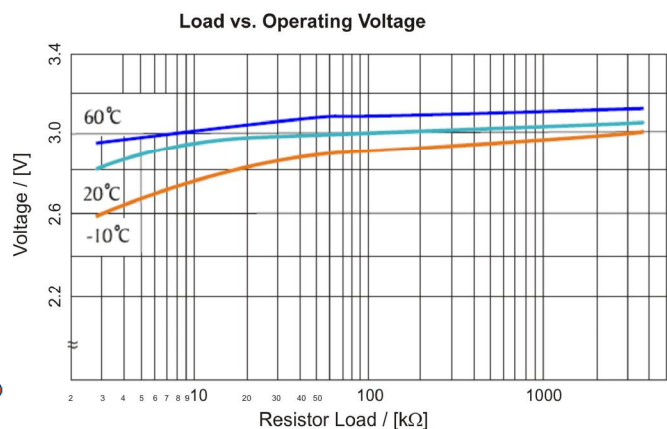
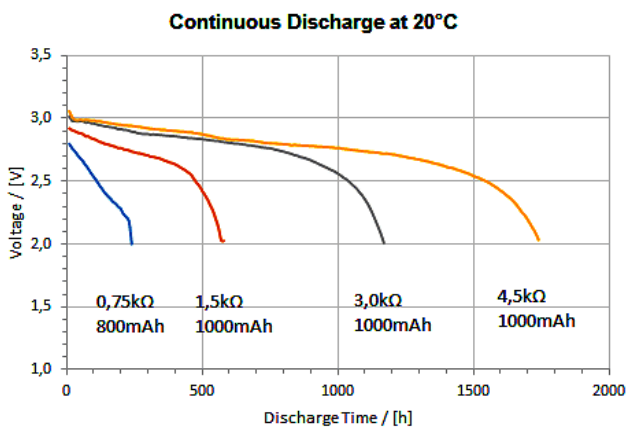
#### Electrical characteristics

(typical values relative to cells stored for one year or less at +30°C max.)

Nominal capacity (@ 1,0 mA to 2.0 V)	1000 mAh
Nominal voltage	3.0 V
Max. constant current / max. pulse current	6 mA 25 mA
Operating temperature range	-20°C ~ +70°C
Service life	10 years

#### Physical characteristics

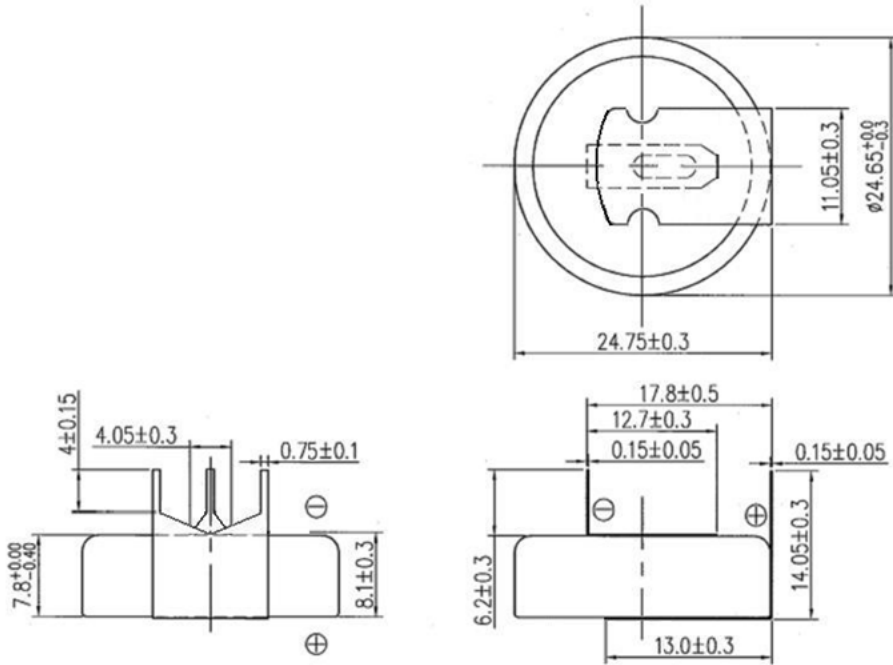
Diameter (max.)	24.5 mm
Height (max.)	7.7 mm
Typical weight	10.0 g



#### Warning

- n Avoid short-circuit and/or any charge between "+" and "-"
- n Remove battery when discharged to cut-off voltage
- n Do not over-discharge, expose to fire or inflict any damage.
- n Sealing tightness less than 5 seconds at 200-250 °C

Drawing LM 2477N/ PCB 3



Unit mm

The information (subject to change without notice) contained in this document is for reference only and should not be used as a basis for product guaranty or warranty. For applications other than those described here, please consult your nearest DYNAMIS Sales or Marketing Office or Distributors.